



Flexible Pick & Place System

Delta Robot SDR 100

Highly Dynamic, Precise and Economic



High Speed and High Precision

Delta Robot SDR 100

The SIGMATEK Delta Robot is designed for precise Pick & Place applications in packaging, handling and assembly areas.

It scores with precise, high-speed positioning movements. At a payload of up to 1000 g, it operates in a working range with a diameter of up to 1100 mm and a height of up to 400 mm. The flexible 3-axis Delta Robot can be optionally expanded with a telescopic axis for rotational movements of the gripper.

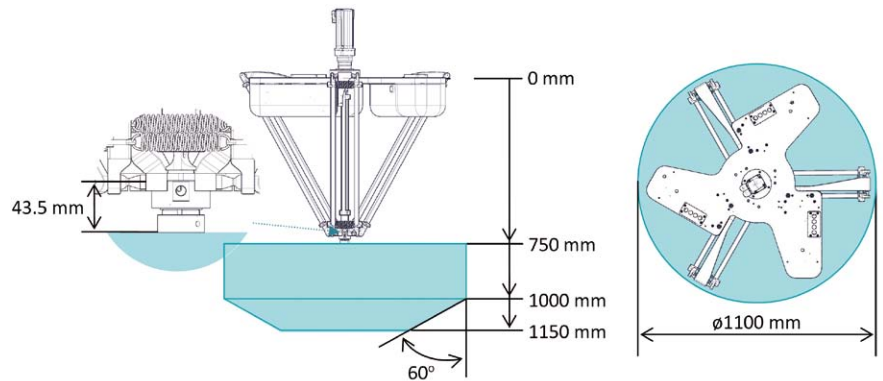
The mobile HGT control panel performs all control functions for the robot, the gripper and the entire periphery, such as conveyors for example. At the same time, it provides a comfortable operating interface for the delta robot.

The functions of LASAL Motion allow the simple programming of robot movements. Thereby, all classic motion types such as linear, circular, spline or point-to-point movements can be selected. Blending is also possible. In the conveyor-tracking mode, the SDR Delta Robot grips products from timed or continuously driven bands.



With the HGT Robot Control Panel, entering motion sequences for the robot is simple and comfortable.

Cycle times		
Movement profile		
Path H x L x H (mm)	Load	Cycles/min
25 x 305 x 25	100 g	150
25 x 305 x 25	500 g	109
25 x 305 x 25	1000 g	100



Delta Robot SDR 100 Technical Data

Copyright © 11/2011 by SIGMATEK GmbH & Co KG, All specifications are subject to change without notice.

Payload	1000 g
Degrees of freedom	3 + 1 (optional rotation axle)
Working range:	Diameter of 1100 mm: working height 250 mm Diameter of 800 mm: working height 340 mm Diameter of 600 mm: working height 400 mm
Pick & Place movements:	Up to 150 cycles/min
Maximum speed	10 m/s
Maximum acceleration	100 m/s ²
Repetition accuracy position:	± 0.1 mm
Repetition accuracy angle:	± 0.1 °
Weight:	65 kg

SIGMATEK GmbH & Co KG	A-5112 Lamprechtshausen	Sigmatekstrasse 1	Tel.: +43 / 62 74 / 43 21-0	Fax: +43 / 62 74 / 43 21-18	office@sigmatek.at
SIGMATEK GmbH	D-76829 Landau	Marie-Curie-Strasse 9	Tel.: +49 / 63 41 / 94 21-0	Fax: +49 / 63 41 / 94 21-21	office@sigmatek.de
SIGMATEK Schweiz AG	CH-8307 Effretikon	Poststrasse 2	Tel.: +41 / 52 / 354 50 50	Fax: +41 / 52 / 354 50 51	office@sigmatek.ch

www.sigmatek-automation.us